



First One There Wins!

*Incredibly FAST
Leveling System!*

Hovering on the **EDGE**
of Unbelievable

Next time a building owner says "Can you
make this elevator faster?"

The Answer is YES!

The Reflex 3.14 leveling system monitors oil temperature
and adapts slowdown distance to load changes in the
elevator. The stabilized leveling time is drastically
reduced resulting in a significantly faster floor to floor
time, reduced energy, and a cooler running power unit!

Fast. Smart. Green.



Patent Pending

www.vertitron.com

VMI

VERTITRON
MIDWEST
INC.

Toll Free: 1-888-864-3683
sales@vertitron.com

**CONTROL
FREAKS**

Annual Energy, Time Savings, and Oil Temperature reduction based on actual job site results.

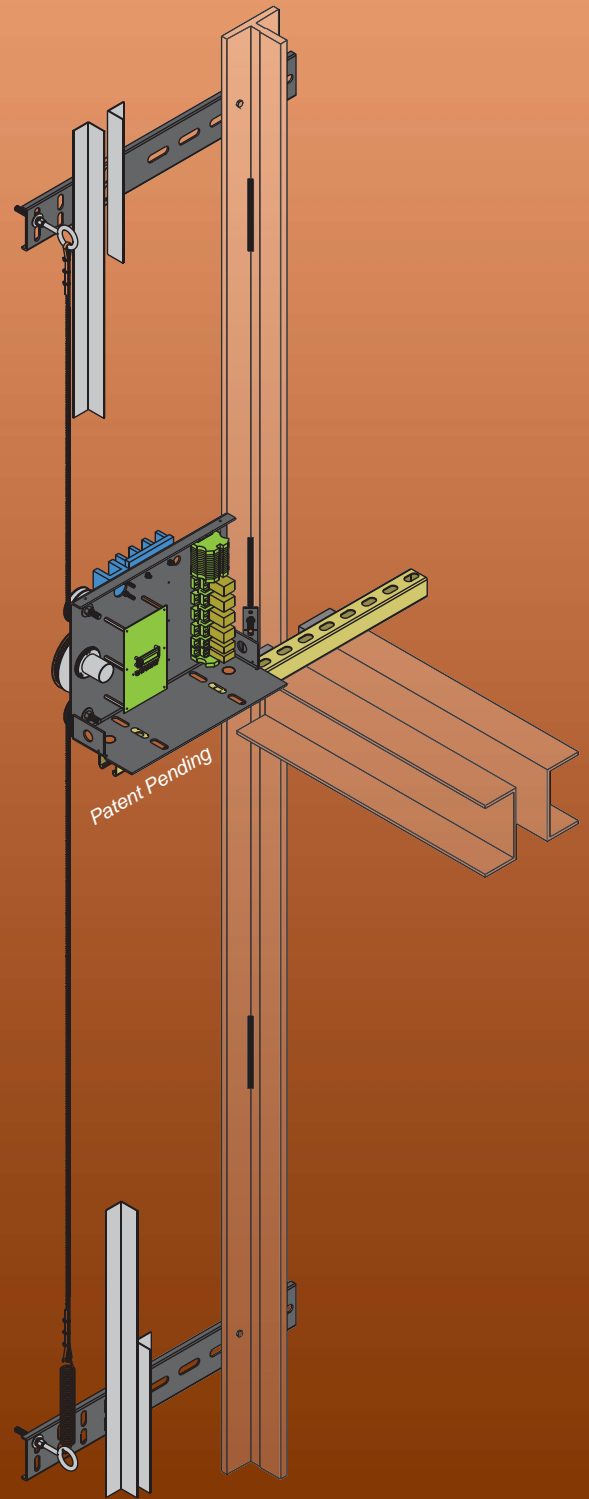


First One There Wins!

Energy Savings Calculator

Time Saved per Trip (sec.)	4
Average Up Trips per Day	325
Motor HP	40
kW	29.8
Annual kW Saved	3928
kWh Rate	\$0.15
\$ Annual Energy Savings \$	\$589
Annual Motor Run Hours Saved	132
Total Annual Elevator Running Hours Saved (Up & Down)	264
Oil Temperature Reduced by 14°F	

“Hydraulic elevator leveling system shall utilize an absolute position multi-turn encoder to minimize the stabilized leveling. System shall adapt slowdown distances to the current load in the elevator and compensate for cold oil conditions.”



www.vertitron.com



VERTITRON
MIDWEST
INC.

Toll Free: 1-888-864-3683
sales@vertitron.com

